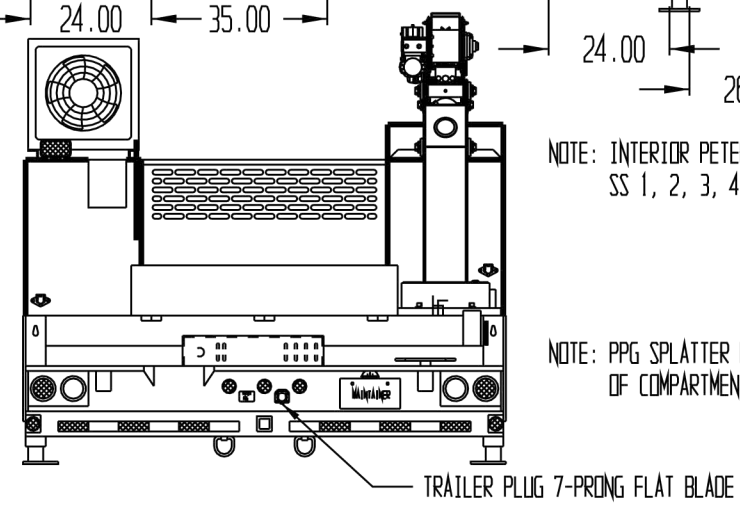
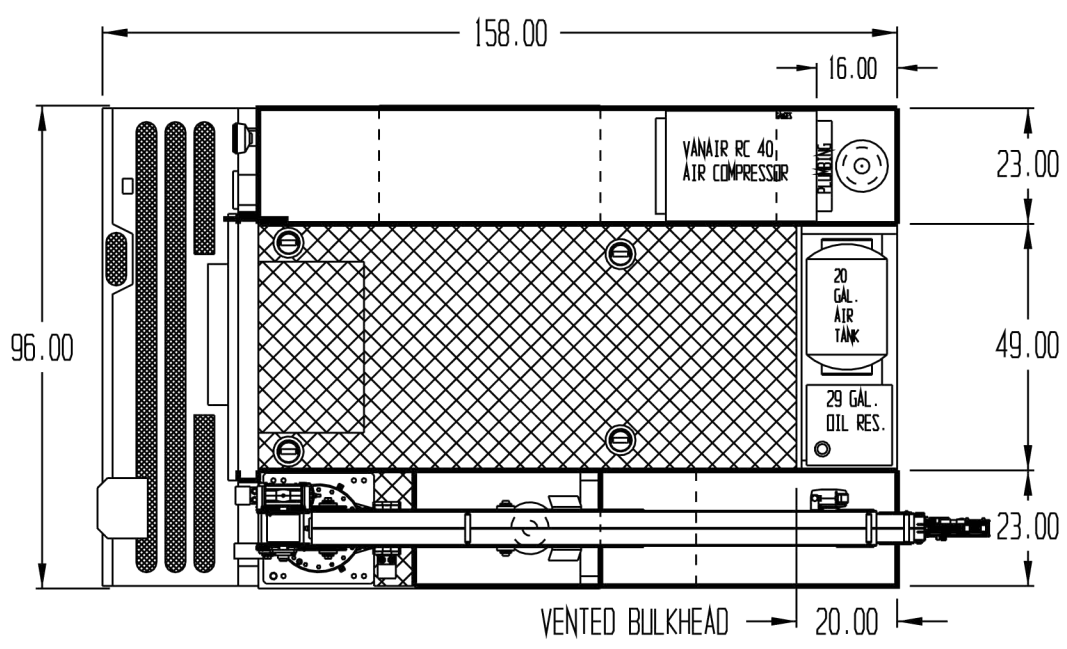
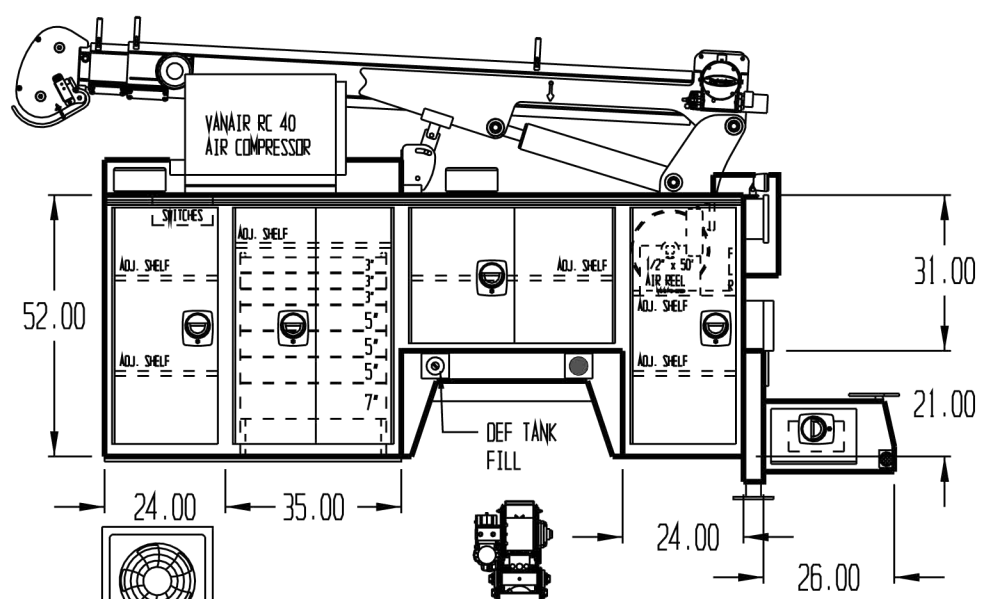
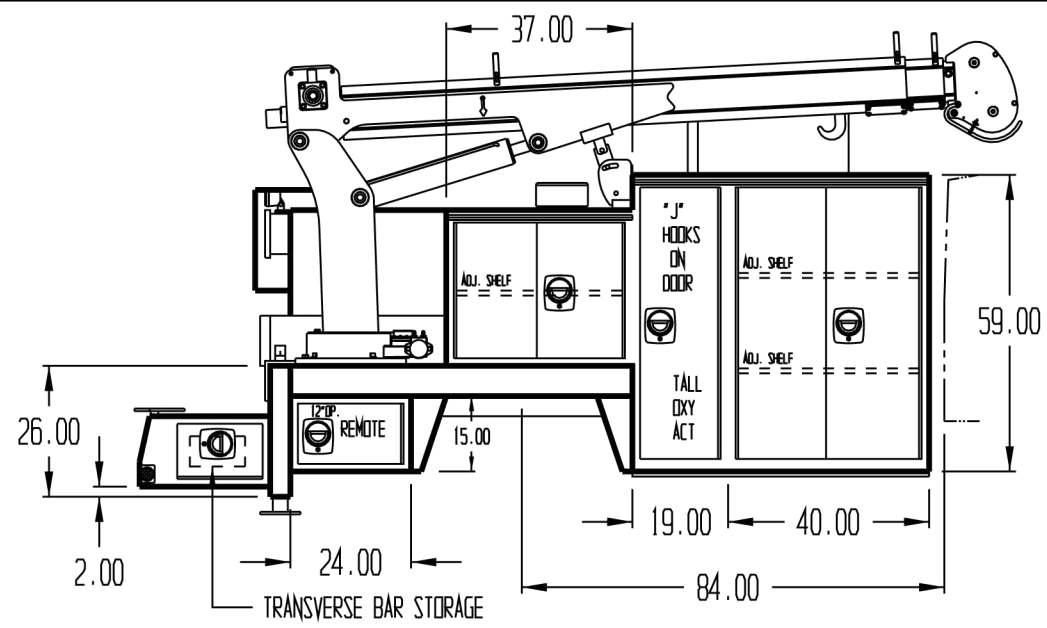


APPROVED BY \_\_\_\_\_

DATE \_\_\_\_\_

PAINT CODE \_\_\_\_\_



NOTE: INTERIOR PETERSON #391 LIGHTS  
SS 1, 2, 3, & CS 1, 3

NOTE: PPG SPLATTER PAINT INTERIOR  
OF COMPARTMENTS

NOTE:  
USABLE CENTER DECK  
CARGO WIDTH 48.50"

NOTE: 10" TALL SUBFRAME  
WITH FORMED CROSS  
MEMBER ANGLES

THIS PRINT CONTAINS CONFIDENTIAL INFORMATION AND IS THE SOLE PROPERTY OF MAINTAINER CORP. OF IOWA INC. AND IS NOT TO BE COPIED OR REPRODUCED WITHOUT THE EXPRESSED WRITTEN PERMISSION OF MAINTAINER CORP. OF IOWA INC.		PROPRIETARY DATA PROPERTY OF MAINTAINER CORPORATION OF IOWA, INC.	
LOS DIMENSIONS ARE IN INCHES GENERAL TOLERANCES		COPYRIGHT © 2002	
MATERIAL:		<b>Thaintainer</b> Corporation of Iowa, Inc. P.O. Box 349 1701 S. 2nd Avenue Sheldon, Iowa 51201	
BREAK ALL EDGES .01 X 45°	ANGULAR ± 1° .XX ± .03 .XXX ± .005	SCALE: 1:26	SIZE: B
LOS RADI	LOS ANGLES	DRAWING NUMBER: AC283-2	DFTM. TJE DATE: 1/6/12
MADE IN THE USA		H7024TT-1-084 HOUSTON AUTO / STOCK	